

Ca8334b manual

ANALIZADOR DE RED ELECTRICA TRIFASICO

C.A 8332B
C.A 8334B



ESPAÑOL

Manual de Instrucciones



File Name: Ca8334b manual.pdf

Size: 2158 KB

Type: PDF, ePub, eBook

Category: Book

Uploaded: 27 May 2019, 19:50 PM

Rating: 4.6/5 from 765 votes.

Download Now!

Please check the box below to proceed.



I'm not a robot



reCAPTCHA
Privacy - Terms

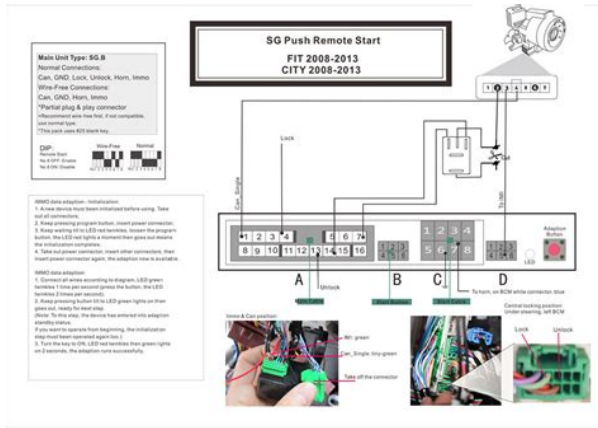
Book Descriptions:

Ca8334b manual

We managed to monitor our production process effectively with your expertise. Will buy again! We are very happy with the deal. No regrets for choosing KKInstruments for the past 8 years.

Comparison of items Layout Large product images Price Order. PEL102 and PEL103 mains adapter. This adapter allows to power the instrument through the voltage measurement. Chauvin Arnoux E3N Adapter for Qualistar and PEL. Features and Benefits. A cable with an ESSAILEC plug can be used for testing without disturbances or interruptions in the power supply. PAC93 Power Quality Clamp. The PAC93 Power Quality Clamp offers a clam. CA8220 Power Analyser. Compatible with all PEL and Qualistar Power Quality Analysers including the CA8333, CA8336, CA8345 and the PEL 103. The C. Compatible with all PEL and Qualistar Power Quality Analysers including the CA8333, CA8336, CA83. The output is proportional. The package is availab. This costsaving 3pack is perfect fo. Use Product Category to narrow search results or navigate to a particular type of product. The ChauvinArnoux CA8334B is fully tested and refurbished in our inhouse ISO9001 calibration laboratory. We supply manuals, accessories, full warranty and a freeofcharge Certificate of Conformity. We can also provide the ChauvinArnoux CA8334B with a fresh calibration for a small additional charge. If you have underutilised test equipment talk to us about tradingin or partexchanging it towards the ChauvinArnoux CA8334B or other refurbished test equipment. The energy and power analyser supports measurements up to 6500A. The energy and power analyser detects electricity via electricity clamps and thus ensures highest safety. The TRMS measuring emphasises the high quality features of the energy and power analyzer C.A 8334B. Aside from measuring electricity, voltage, and power efficiency, the energy and power analyser is able to measure frequency, energy and harmonics up to 50th order. <http://www.goldstarautosolutions.com/cmsCart/upload/deutz-f3l912-parts-manual-pdf.xml>

- **ca8334b manual, ca8334b manual.**



The graphic display of the energy and power analyser enables an accurate and simple analysis of the measured data. The measuring data is stored on the 2 MB data storage of the energy and power analyser and can be read out via an optic interface. The evaluation software, which is included in the delivery content for the energy and power analyser, allows a broad analysis of stored data. Due to different current transformers theFor further information about the energy and performance analyser, please read the following technical data or use our hotline. Our engineers and technicians will gladly advise you regarding the energy and performance analyser and all other products in terms ofHumidity meters Rotation meters Roughness tester Analytical scales. Animal scales Basic scales Bench scales Crane scales. Compact scales. Counting scales Force meter Hopper scales. Household scales Humidity scales Load cranes. Load scales Micro scales Moisture scales. Multifunction scales Pallet truck scales. Pallet scales. Paper scales. Pharmacy scales Piece count scales Piece counting scales. Platform scales. Pocket scales. Postal scales Precision scales Probe cutter Scales for carat. Scales for colleges. Scales for dentistry Scales for hobbyists. Scales for gold Scales for school Scales with a support Scales with counter. Scales with software Shipping scales. Spring scales. Surface scales. Systems Hanging Verifiable scales. Veterinary scales Weighing hooks. Weighing platforms. Weighing scales. Weight indicators. Discover everything Scribd has to offer, including books and audiobooks from major publishers. Start Free Trial Cancel anytime. <http://obraz-tilt.ru/userfiles/deutz-f3l912-service-manual.xml>

■ ANALIZADOR DE RED ELECTRICA TRIFASICO

C.A 8332B
C.A 8334B

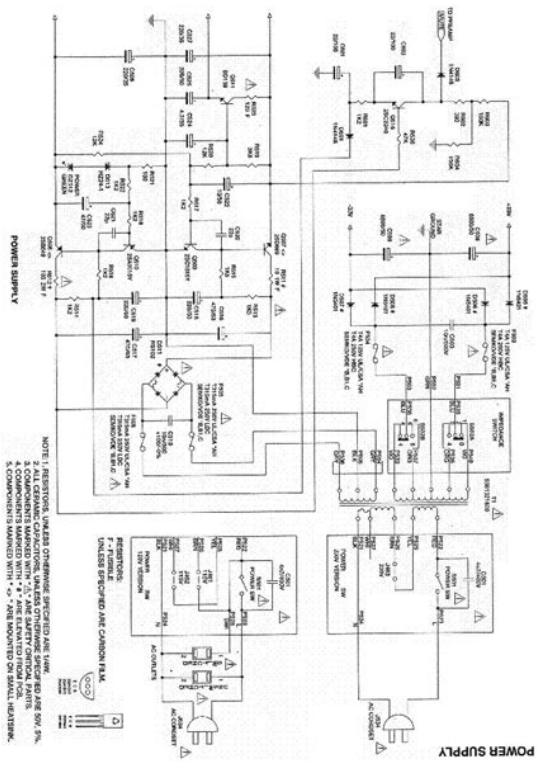


ESPAÑOL

Manual de Instrucciones

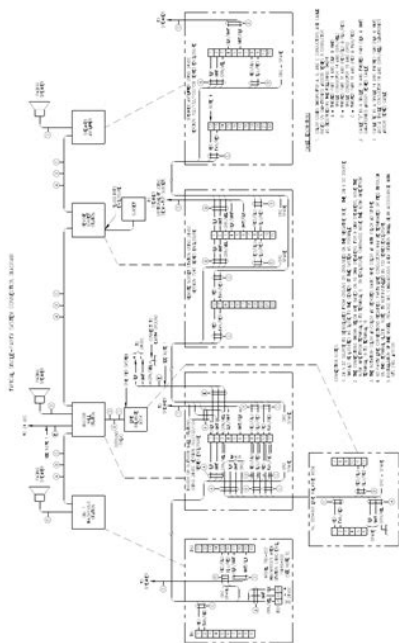


Report this Document Download Now save Save ChauvinArnoux CA8334B For Later 0 ratings 0% found this document useful 0 votes 15 views 47 pages ChauvinArnoux CA8334B Uploaded by Ricardo Bataller Description Manual de uso Analizador de Redes ChauvinArnoux CA8334B Full description save Save ChauvinArnoux CA8334B For Later 0% 0% found this document useful, Mark this document as useful 0% 0% found this document not useful, Mark this document as not useful Embed Share Print Download Now Jump to Page You are on page 1 of 47 Search inside document Browse Books Site Directory Site Language English Change Language English Change Language. Create one here. View and Download Chauvin Arnoux MN93 user manual online.. et d Specifications Techniques Le QualistarPlus C.A 8335 est synonyme de simplicité, Chauvin Arnoux has adopted an EcoDesign approach in order to design this. Code commande RS 8517824; Reference fabricant P01120079B; Fabricant Chauvin Arnoux. Pour obtenir le meilleur service de votre C.A 1950 DiaCam 2. Ergonomic and simple to use, the C.A 1950 thermal camera offers excellent grip. Online ansehen oder herunterladen Chauvin arnoux Locat 220 Bedienungsanleitung. Chauvin arnoux Locat 220 PdfBedienungsanleitungen. Online ansehen oder herunterladen Chauvin arnoux Locat 220 Bedienungsanleitung. Manual de instrucciones. Boitier. 55 centre technique Manumasure, 01 44 85 44 85 Chauvin Arnoux. Creators are allowed to post content they produce to the platform, so long as they comply with our policies. United Kingdom. Company number 10637289.



<http://eco-region31.ru/3m-c1060-installation-manual>

<http://cqitracker.com/images/bravetti-professional-kettle-manual.pdf>



<http://creaturegraphics.com/images/bravetti-platinum-pro-rice-cooker-manual.pdf>

<http://www.kocay.com.tr/wp-content/plugins/formcraft/file-upload/server/content/files/1626ef9e7bf3e0--bosch-psb-500-re-hammer-drill-manual.pdf>

www.cpfledlighting.com/userfiles/file/command-conquer-tiberian-sun-manual.pdf

<http://www.bosport.be/newsletter/3m-c1060-installation-manual>